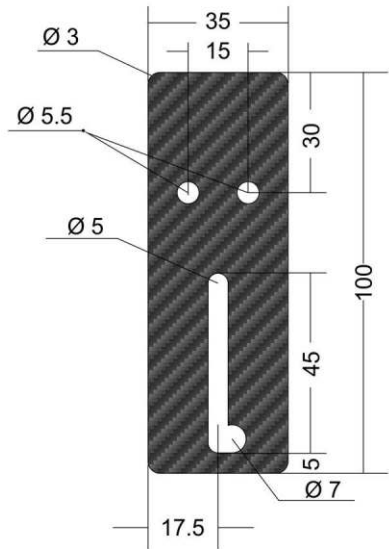
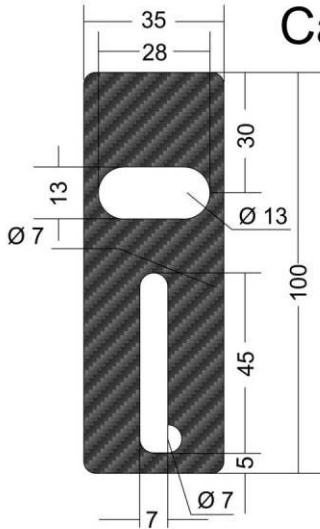


Camera Level Plate



Lower Plate



Upper plate (camera plate)

When all the holes and grooves are milled, you should roughen the inside of the plates and then stick them together with a special glue.

Secure both parts with clamps.

Fixation : 2x flat screws M5x3x10
2x 12x6mm washers
2x M5 nuts



SUKI 6177461