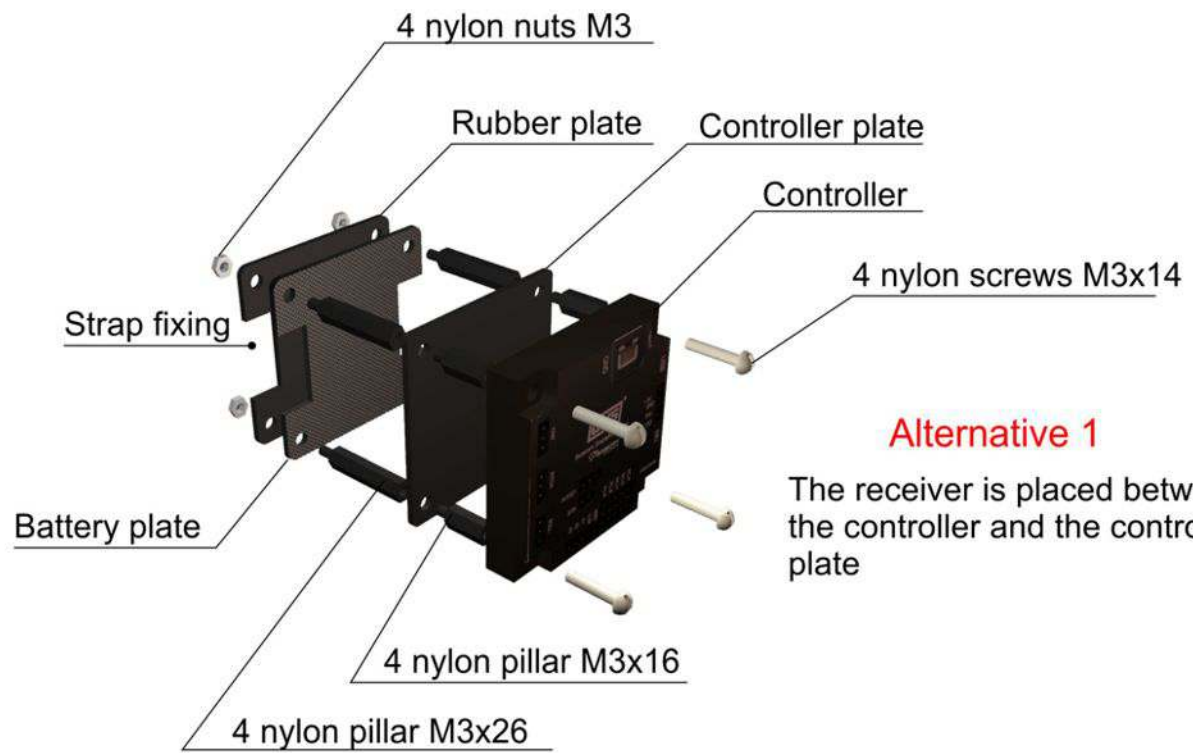
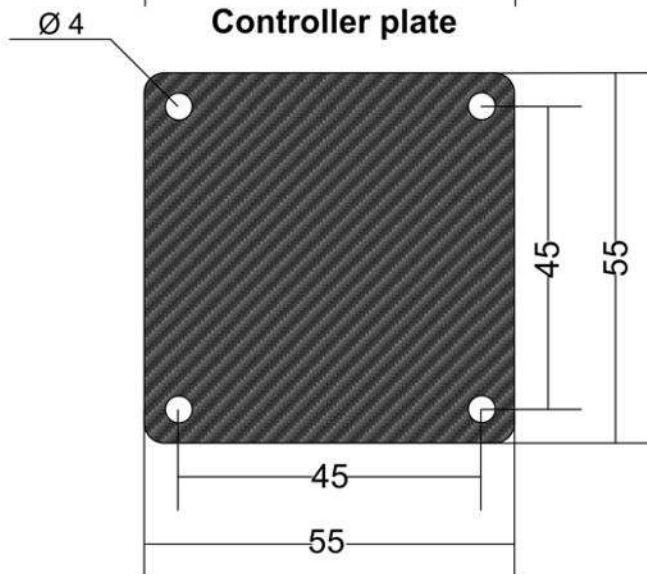
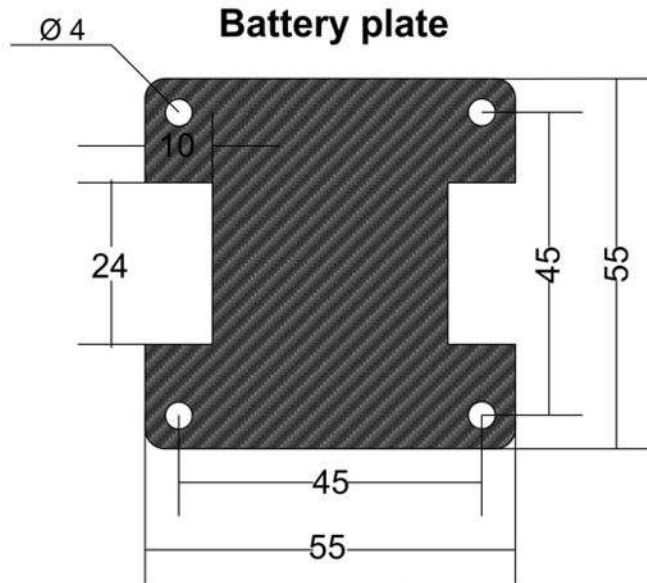
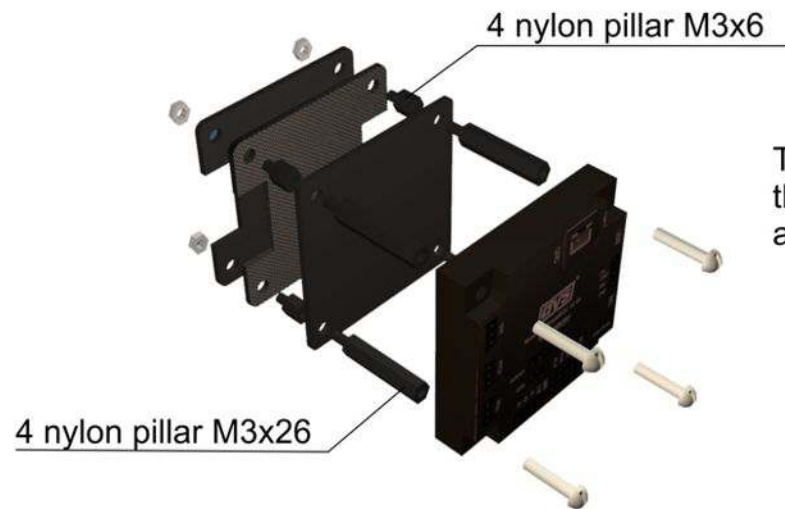


Controller attachment : Alternative 1 and 2 (3K 2mm carbon)



Alternative 1

The receiver is placed between the controller and the controller plate



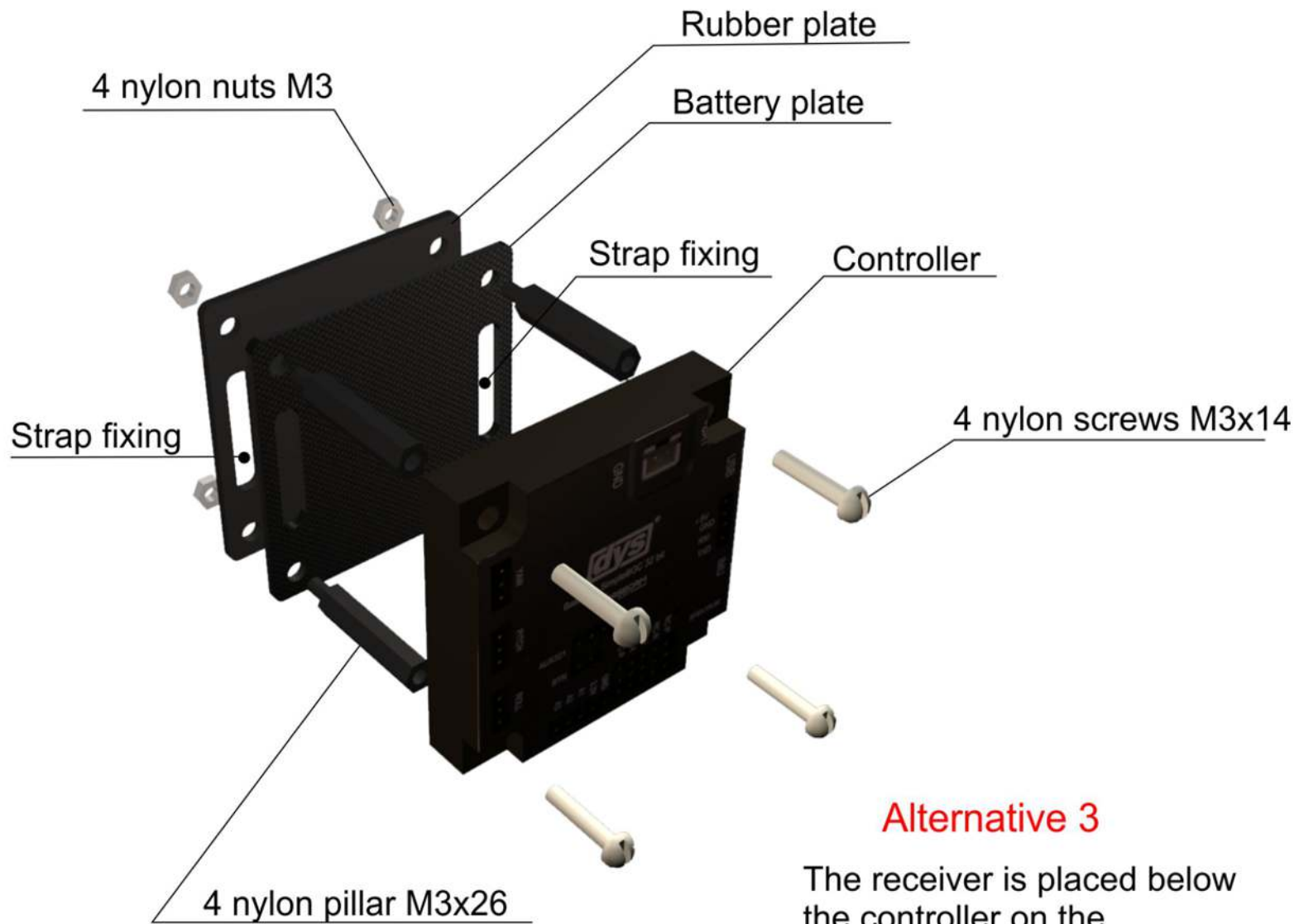
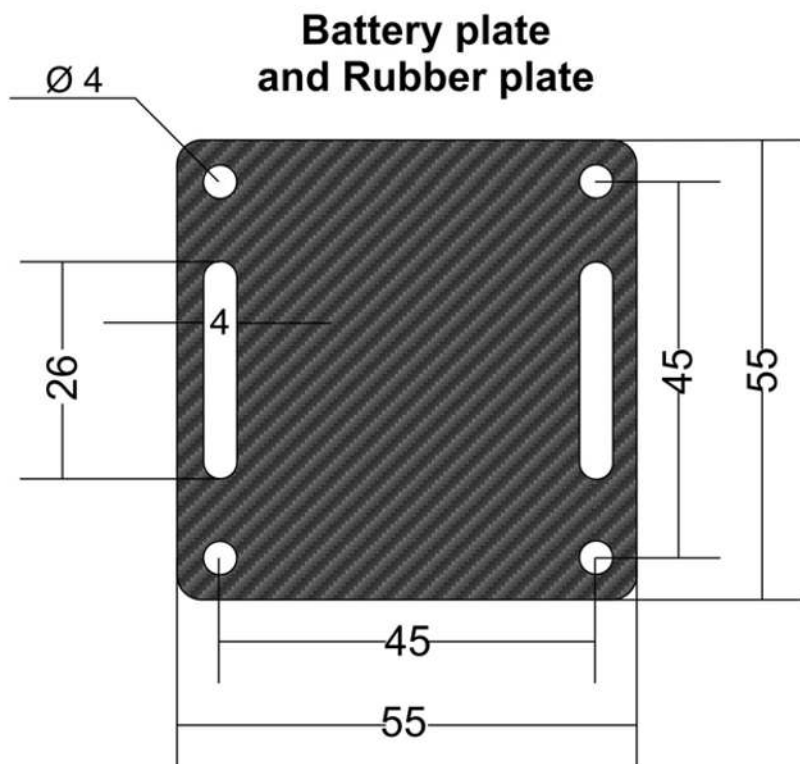
Alternative 2

The receiver is placed below the controller on the aluminum profile

Controller attachment :

Alternative 3 (my favorite)

(3K 2mm carbon)



Alternative 3

The receiver is placed below the controller on the aluminum profile