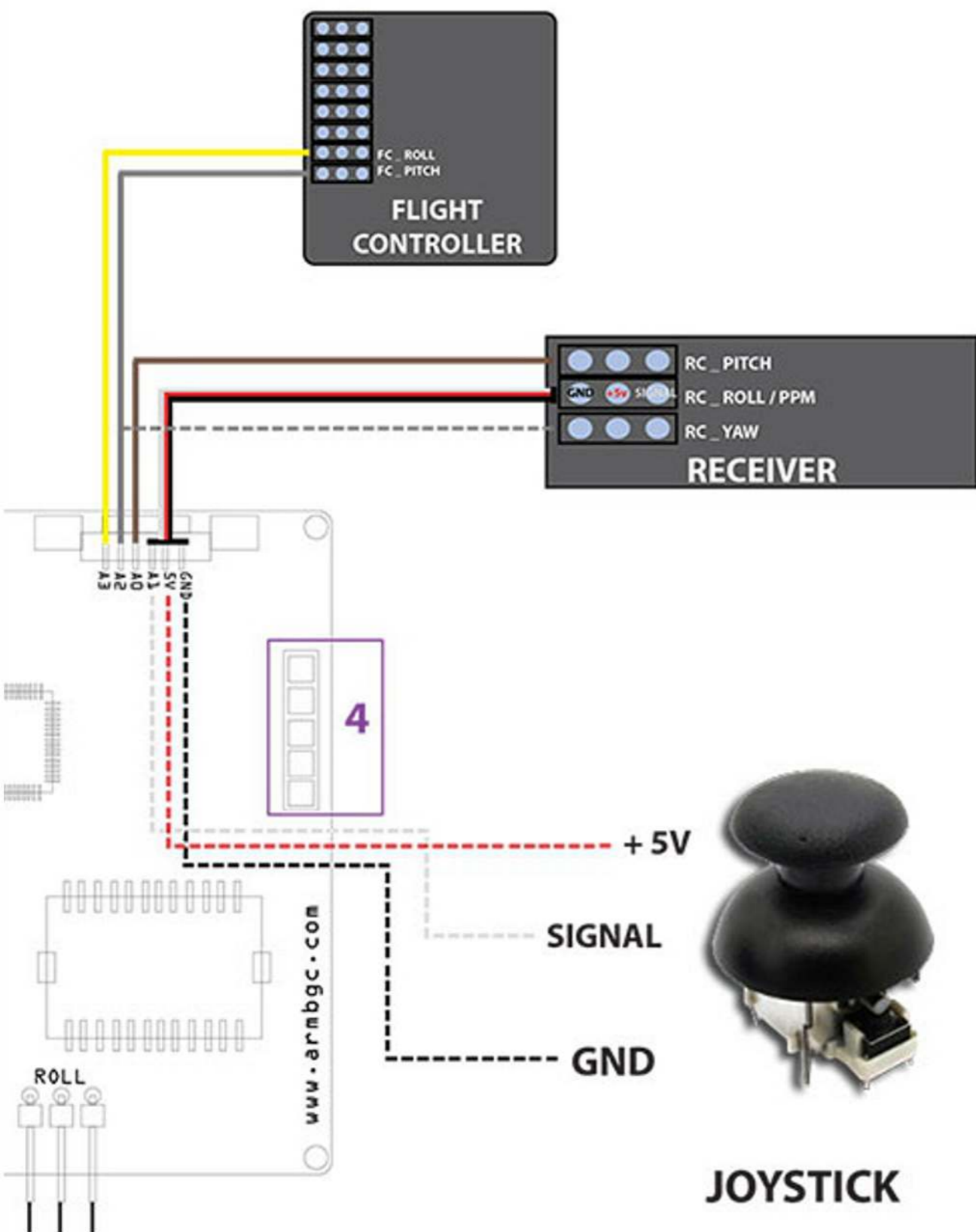


OLD DIAGRAM



MODIFIED DIAGRAM

